

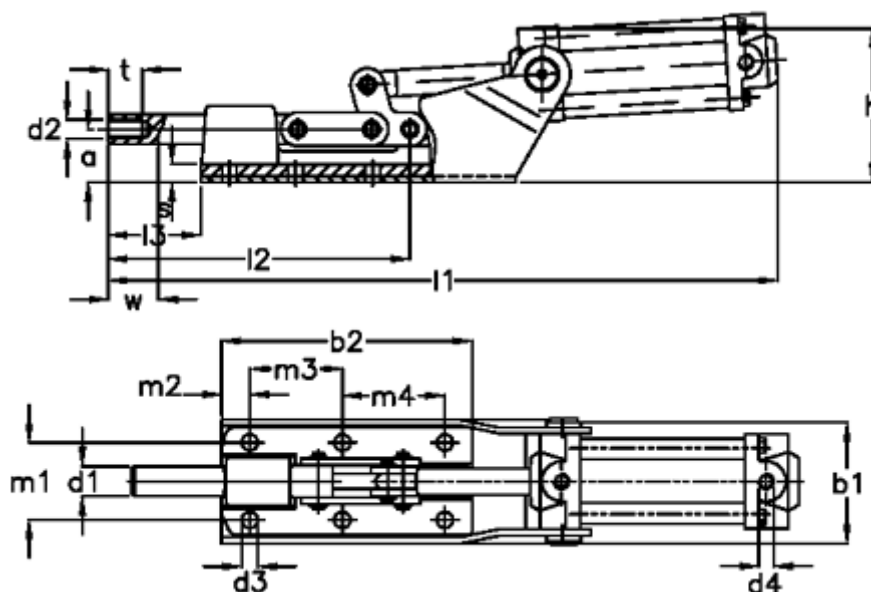
Data Sheet



Article number: 2013731242

Description: E+G Klee pneumatically operated clamp
GN 890-1100-SP3-M

Measures



a	= 28.0	h	= 88	m3	= 35.0
b1	= 66	Holding force N	= 16000	m4	= 41
b2	= 133	Hose connector	= 6	s	= 12.0
Clamping force at 4 bar	= 4100	l1	= 355	Size	= 1100
d1	= 16.0	l2	= 171.0	t	= 18
d2	= M10	l3	= 49.0	W	= 31
d3	= 8.5	m1	= 41.0		
d4	= G 1/4	m2	= 15.0		